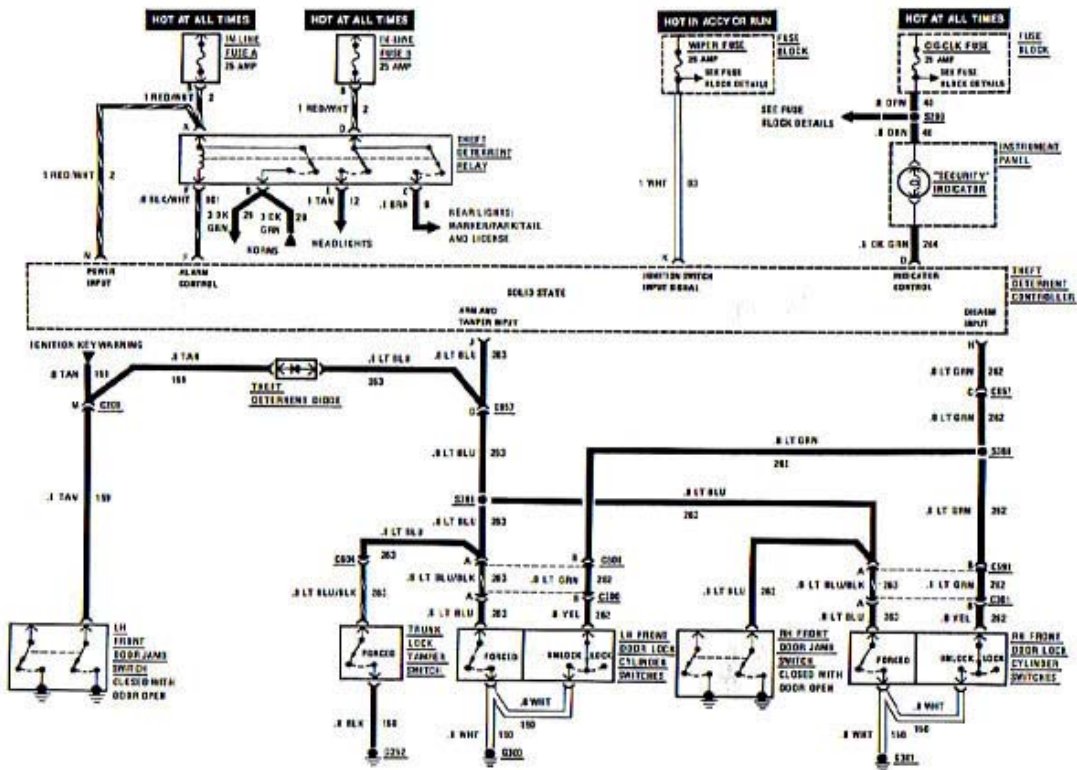
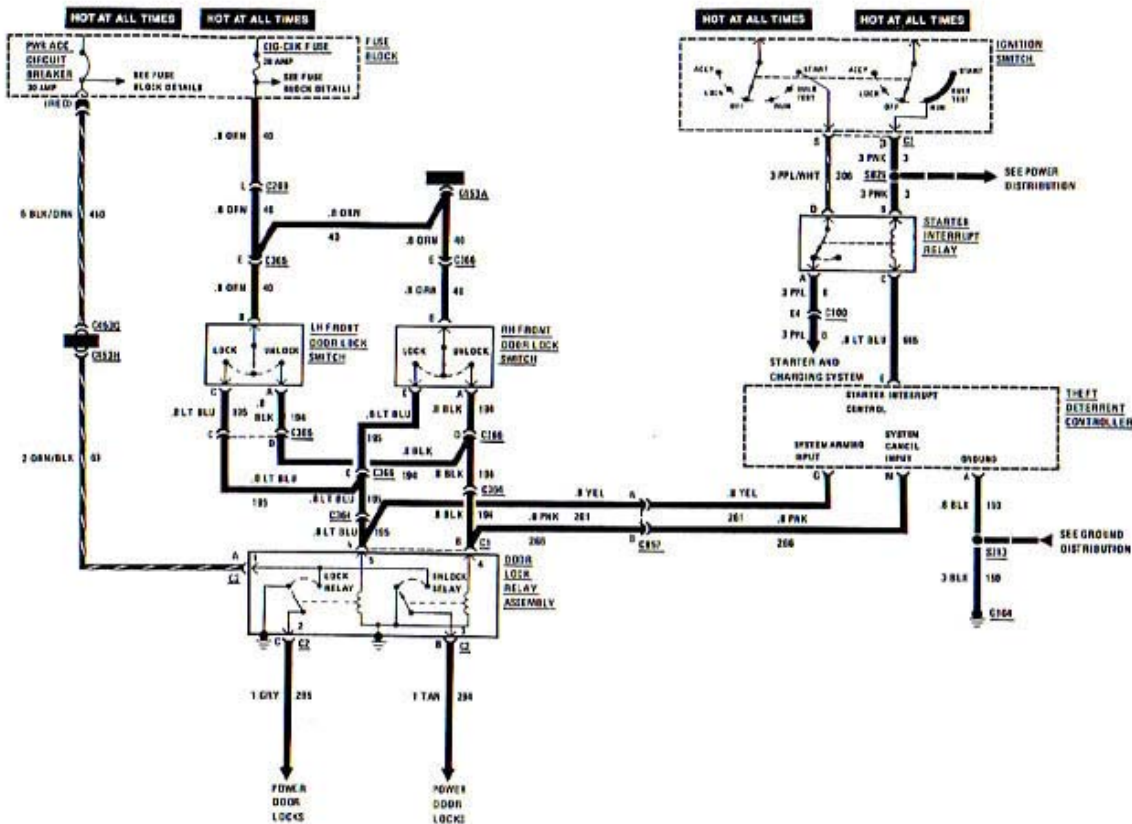


THEFT DETERRENT SYSTEM



THEFT DETERRENT SYSTEM



THEFT DETERRENT SYSTEM

SYSTEM CHECK

(To reduce alarm noise, muffle the vehicle horns with rags before testing. Also put all windows fully down.)

Arming

- Turn the Ignition Switch to RUN and then to OFF. Open driver's door.
 - SECURITY Indicator flashes.
- With the LH door open, move the Front Door Lock Switch to LOCK.
 - SECURITY Indicator stays on.
- Close the door. (Stay in the car)
 - SECURITY Indicator goes out. System is armed.

Test Alarms

- Unlock the LH door using the door lock post and open the door.
 - Horns pulse on and off.
 - Headlights flash on and off.
 - Exterior lights flash on and off. All these alarms cycle on and off approximately once a second for two to four minutes.
- While alarms are operating, put the key in the ignition and move it to START.
 - Starter does not operate and engine does not start.

Disarming

- Get out of the car. Using the vehicle key, unlock the LH door.
 - Alarms stop.
- Rearm the system using the RH Front Door Lock Switch. Get out of the car before

COMPONENT LOCATION

Component	Location	Page-Figure
Door Lock Cylinder Switches	In door near key cylinder	201-20-B
Door Lock Relay	Lower RH shroud at bottom access hole	201-8-B
Fuse Block	Under LH side of I/P	201-9-A
Ignition Switch	Base of steering column	201-12-B
In Line Fuse A	Taped to I/P harness, RH side of glove box	201-8-A
In Line Fuse B	Taped to I/P harness, RH side of glove box	201-8-A
Starter Interrupt Relay	Taped to I/P harness, rear fuse block	201-8-A
Theft Deterrent Controller	Behind I/P, near LH shroud	201-8-A
Theft Deterrent Diode	Behind LH side of I/P, in C857	201-8-A
Theft Deterrent Relay	Behind I/P, left of steering column	201-8-A
Trunk Lock Tamper Switch	Rear center of trunk lid, at lid lock cylinder	201-19-C
C100 (45 cavities)	LH side of rear engine, behind wiper motor	201-15-C
C209 (11 cavities)	Attached to LH side of fuse block	201-10-B
C300 (2 cavities)	In LH front door, below lock	201-20-B
C301 (2 cavities)	In RH front door, below lock	201-20-B
C364 (2 cavities)	Near RH shroud	201-14-A
C365 (5 cavities)	LH shroud, near center access hole	201-10-C
C366 (5 cavities)	RH shroud, near center access hole	201-20-B
C453 (18 cavities)	Upper LH dash	201-20-A
C599 (2 cavities)	Below RH side of I/P, at upper RH shroud	201-14-A
C600 (2 cavities)	Below LH side of I/P, at upper LH shroud	201-14-A
C604 (1 cavity)	Base of LH shroud	201-14-A
C857 (4 cavities)	Behind I/P, near LH shroud	201-8-A
G104	Behind I/P, to left of steering column	201-11-A
G252	Above trunk to RH side of trunk lid	201-19-C
G300	In LH front door, near lock cylinder switch	
G301	In RH front door, near lock cylinder switch	
S213	I/P harness, above radio	201-10-A
S290	I/P harness, above steering column	201-11-A
S380	Cross car harness, near door lock cylinder	201-8-A
S826	I/P harness, near brake pedal arm	201-9-A
S831	Theft harness, near upper LH shroud	201-14-A

closing the door to complete the arming sequence. Unlock the RH door with the key and open it.

- No alarms sound. The key unlock disarms the system.

- Rearm the system while remaining in the vehicle. Put the key in the ignition and turn it to RUN. Unlock the LH door using the door lock post and open the door.

THEFT DETERRENT SYSTEM

- No alarms sound. (Ignition Switch turned to RUN also disarms the system.)

Reset After Alarms

- Rearm the system. Unlock the RH door using the door lock post and open the door and reclose it.
 - Alarms sound.
- After alarms stop, in about three minutes, open RH door.
 - Alarms sound.
- Unlock RH door using the key.
 - Alarms stop.

Lock Without Arming

- Lock each door manually using the door lock posts of the outside key lock. Do not use the Power Door Locks Switch.
 - SECURITY Indicator goes off when last door is closed.
 - Theft Deterrent System is not armed.

TROUBLESHOOTING HINTS

- Test the fuses listed in the following chart.

FUSES

Theft Deterrent Controller
Ignition Switch ON

Fuse	To Test, Operate
WIPER	Windshield Wiper
PWR ACC	Defogger
CLR-CIG	Glove Box Light

SYSTEM DIAGNOSIS

The following table gives tests to perform for various symptoms. The tests are to be made on the terminals of the Theft Deterrent Controller connector with the connector removed from the controller.

Theft Deterrent Controller

Symptoms	Test Terminals
System won't arm, indicator flashes after door switch is locked	K (WHT), G (YEL), J (LT BLU)
System won't arm, indicator stays on after door is closed	J (LT BLU)
System won't cancel arming with door lock switch to unlock	M (PNK)
System won't disarm with door key	K (WHT), H (LT GRN)
Alarms won't operate, system arms	F (BLK/WHT), J (LT BLU)
Only horns or only some lights operate	Theft Deterrent Relay Tests
Starter interrupt doesn't work, alarms operate	E (LT BLU), Starter Interrupt Relay Tests
Security indicator doesn't work	A (BLK), N (RED/WHT), K (WHT), D (DK GRN)
System goes off by itself	A (BLK), J (LT BLU)
Ignition key warning set off by all doors	J (LT BLU) Theft Deterrent Diode

- If the system does not have one of the symptoms listed, test all the terminals of the controller.

- Remove the connector from the Theft Deterrent Controller. Test for Battery voltage with a test lamp to ground at the terminals in the following chart. If a switch is not mentioned under test conditions, it should be off. If a switch position is not mentioned under test conditions, the test lamp should not light for that position.

TEST LAMP

Theft Deterrent
Controller Connector

Terminal (Wire Color)	Test Lamp	Test Condition
D (DK GRN)	Lights	All Times
E (LT BLU)	Lights	Ignition Switch in RUN, BULB TEST, or START
F (BLK/WHT)	Lights	All Times
G (YEL)	Lights	When either door lock switch is pushed to LOCK
K (WHT)	Lights	Ignition Switch in ACCY or RUN
M (PNK)	Lights	When either door lock switch is pushed to UNLOCK
N (RED/WHT)	Lights	All Times

- With the connector still removed, check the circuits to ground using a self-powered test lamp. The test lamp should not light for any test lamp. The test lamp should not light for any test condition not mentioned.

THEFT DETERRENT SYSTEM

SELF-POWERED TEST LAMP Theft Deterrent Controller Connector Positive Lead to the Connector

Terminal (Wire Color)	Test Lamp	Test Condition
A (BLK)	Lights	All Times
H (LT GRN)	Lights	Key in UNLOCK position in either door lock cylinder
J (LT BLU)	Lights	Either door open

- The forced Entry Switches should all be open. If the circuit at terminal J (LT BLU wire) is grounded (test lamp lights) with both doors closed, one of the Forced Entry Switches in the doors or trunk may be closed (bad).
- If all checks are good, replace the Theft Deterrent Controller.
- If the test lamp does not light, check the circuit to that terminal. See Step 3 for Theft Deterrent Relay Tests or Step 4 for Starter Interrupt Relay Tests.

3. Theft Deterrent Relay Tests.

- Remove the connector from the Theft Deterrent Relay. Check for Battery voltage with a test lamp to ground at the following terminals.

TEST LAMP Theft Deterrent Relay Connector

Terminal (Wire Color)	Test Lamp
A (RED/WHIT)	Lights
D (RED/WHIT)	Lights

- If the test lamp does not light, check the In-Line Fuse and the RED/WHIT wire to that terminal.
 - If the test lamp lights, go to the next step.
 - With the connector still removed, connect a fused jumper, one at a time, from terminal A (RED/WHIT wire) to terminals B (DK GRN wire), E (TAN wire), and C (BRN) wire.
 - If any of the alarms do not operate, check the circuit to the alarm.
 - If the alarms operate, check the BLK/WHIT wire on terminal F. If the wire is good, replace the relay.
- ### 4. Starter Interrupt Relay Tests
- If the Starter Interrupt Relay does not stop the car from cranking, check the PNK and LT BLU wires for an open.
 - If the wires are good, replace the relay.
 - If the wires are open, repair or replace the wire.
 - If the car does not start, check LT BLU wire for short to ground.

- If the wire is shorted to ground, repair or replace the wire.
- If the wire is good, see Starting System Page 31-0 for diagnostics.

CIRCUIT OPERATION

When the Theft Deterrent System has been turned on, or armed, it will automatically operate alarms. It sounds the vehicle horns, flashes the exterior lights, and interrupts the starter circuit. This happens when any of the doors are opened, or forced entry switches on the door locks and/or any of the trunk locks are closed.

Alarms

The light and horn alarms are operated by the Theft Deterrent Relay. The coil of this relay is grounded by the solid state Theft Deterrent Controller to turn on the relay. When the relay contacts close, Battery voltage is supplied to the headlights, exterior lights, and the horn. The controller then opens the relay coil circuit to turn off the alarms. They will pulse on and off every second for 2 to 4 minutes after the system has been triggered by tampering or forced entry.

Starter Interrupt

The starter circuit is disabled by the Starter Interrupt Relay. This relay coil is also grounded by the Theft Deterrent Controller when the alarms have been set off. The relay is energized when the Ignition Switch is in RUN, BULE TEST, or START. Its contacts then open and break the circuit to the Starter Solenoid. This prevents the engine from starting.

THEFT DETERRENT SYSTEM

Arming

The arming sequence consists of: 1) Ignition Switch turned off; 2) either Door Lock Switch moved to LOCK position with at least one door open; and 3) all doors closed. These provide three inputs to the Theft Deterrent Controller: 1) a change from Battery voltage to no voltage at terminal K, the Ignition On Input; 2) momentary Battery voltage applied to terminal G, the System Arming Input, together with a ground connection to terminal J, the Tamper Input; and then 3) an open ungrounded condition at terminal J, the Tamper Input. The system is armed.

Cancellation

The arming sequence can be cancelled. This is done by moving a Front Door Lock Switch to the UNLOCK position before the door is closed to complete the arming of the system. Battery voltage is applied momentarily to terminal M with the door switch in UNLOCK. This cancels the arming.

Disarming

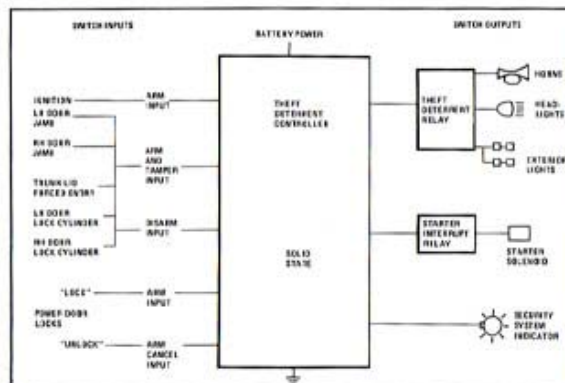
When one of the doors is unlocked with a key, a grounding switch in the Front Door Lock Cylinder closes. This grounds terminal H of the controller, the Disarm Input. The system is disarmed and no alarms will operate when a door is opened.

The system can be disarmed from inside the vehicle with the key. Turning the Ignition Switch to RUN applies Battery voltage to terminal K of the controller, the Ignition On Input.

Tampering

The alarms are set off when terminal J, the Tamper Input, is grounded. The door jamb switches close to ground, the Tamper Input, with the doors open. In addition, the Forced Entry switches close when there is motion between a door or the trunk and its switch. This happens when a door lock is forced or removed. The Forced Entry switches then ground the Tamper Input and set off the alarms.

The Theft Deterrent Diode isolates the LH Front Door Jamb Switch. The Voice or Alarm Information System also uses this switch. The diode prevents the other switches in the Theft Deterrent System from operating the information system.



THEFT DETERRENT SYSTEM

HARNESS CONNECTOR FACES



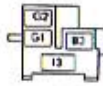
DRY 2977373
C1 (To Door Lock Relay Assembly)



BLK 2984378
C2 (To Door Lock Relay Assembly)



NAT 12010487
C300 (Socket Half)

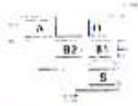


BLK 6294641
C1 (To Ignition Switch)

For C100, See Page 13-0.



NAT 12010487
C301 (Socket Half)



BLK 12010566
C2 (To Ignition Switch)



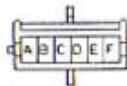
BLK 12004060
C209 (Socket Half)



BLK 6294468
C364 (Socket Half)

THEFT DETERRENT SYSTEM

HARNESS CONNECTOR FACES



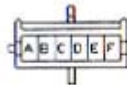
BLK 8917549
C365 (Socket Half)



BLK 8900444
C600 (Socket Half)



BLK 12010105
To In-Line Fuse (A) Fuse Holder



BLK 8917540
C366 (Socket Half)



BLK 8905205
C857 (Socket Half)



PLK 12010133
To Instrument Panel



BLK 8900444
C599 (Socket Half)



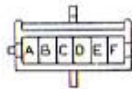
BLK 12010105
To In-Line Fuse (B) Fuse Holder



BLK 12004155
To LH Door Lock Switch

THEFT DETERRENT SYSTEM

HARNES CONNECTOR FACES



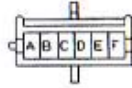
BLK 8917540
C355 (Socket Half)



BLK 8900444
C600 (Socket Half)



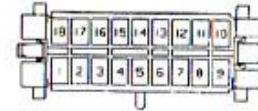
BLK 12010105
To In-Line Fuse (A) Fuse Holder



BLK 8917540
C386 (Socket Half)



BLK 8905206
C857 (Socket Half)



BLK 12015139
To Instrument Panel



BLK 8900444
C599 (Socket Half)



BLK 12010105
To In-Line Fuse (B) Fuse Holder



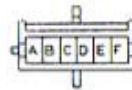
BLK 12004155
To LH Door Lock Switch

THEFT DETERRENT SYSTEM

HARNES CONNECTOR FACES



BLK 12004155
To RH Door Lock Switch



BLK 8917540
To Theft Deterrent Relay



BLK 12010015
To Starter Interrupt Relay



BLK 12015130
To Theft Deterrent Controller